

Dynapac CC1300C

Combi rollers



Technical data



Masses

Max. operating mass	8,600 lbs
Operating mass (incl. ROPS)	8,300 lbs
Module mass (front/rear)	4,300 lbs/4,000 lbs



Compaction

Wheel load	1003 (lbs/wheel)
Tire type (smooth)	10.5/80-16
Centrifugal force	8,100 lb
Nominal amplitude	0.020 in
Static linear load	83 lbs/in
Vibration frequency	3,180 vpm
Water tank	53 gal
Emulsion tank	10.6 gal



Hydraulic system

Driving	Axial piston pump with variable displacement. Radial piston motors (3) with constant displacement.
Vibration	Gear pump/motors with constant displacement.
Steering	Gear pump with constant displacement.
Service brake	Hydrostatic in forward and reverse lever.
Parking/ Secondary brake	Failsafe multidisc on drum and wheel motors.



Engine

Manufacturer/Model	Kubota V2203 IIIA
Type	Water cooled
Rated power, SAE J1995	45 hp @ 2,600 rpm
Fuel tank capacity	13 gal



Engine

Manufacturer/Model	Kubota D1803-CR-TE4B (T4f)
Rated power, SAE J1995	37 kW (49 hp) @ 2,700 rpm



Propulsion

Speed range	0-6 mph
Theor. gradeability	37 %

Find us locally at www.dynapac.us

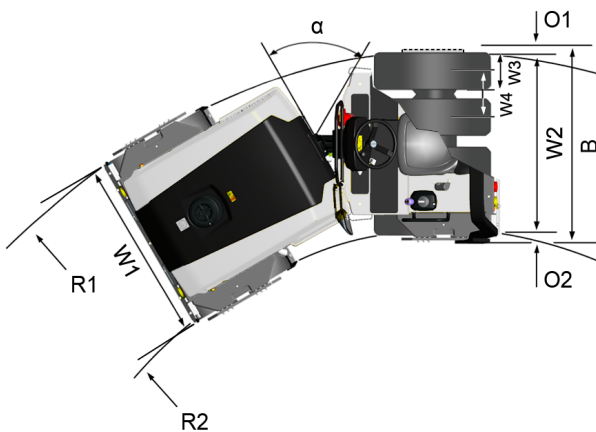
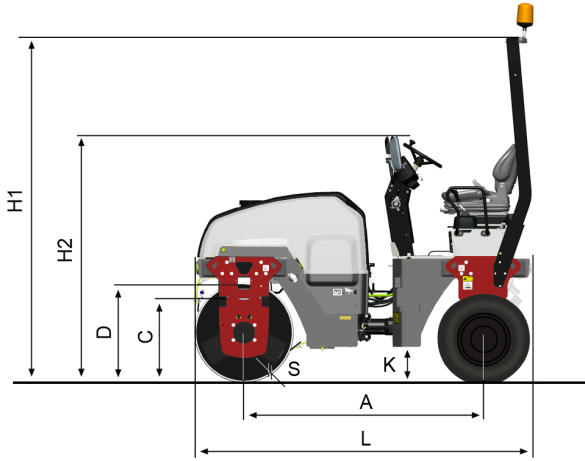
We reserve the right to change specifications without notice. Photos and illustrations do not always show standard versions of machines. The above information is a general description only, all informations are supplied without liability.

Dynapac CC1300C

Combi rollers



Technical data



Dimensions	
A. Wheelbase	76 in
B. Width	54 in
C. Curb clearance	24 in
D. Drum diameter	32 in
H1. Height, with ROPS	108 in
H2. Height, w/o ROPS/cab	73 in
K. Ground clearance	10 in
L. Length	107 in
O1. Overhang, right	2 in
O2. Overhang, left	2 in
R1. Turning radius, outside	167 in
R2. Turning radius, inside	116 in
S. Drum shell thickness	0.6 in
W1. Drum width	51 in
W2. Width, wheel module	50.5 in
W3. Width, tire	11.2 in
W4. Wheel track	12 in
α . Steering angle	$\pm 30^\circ$



Standard equipment

Backup alarm, Foldable ROPS incl. 3" seatbelt, Working lights



Optional equipment

Biodegradable hydraulic fluid, Fire extinguisher, Foot rest, Hearing protectors, Licence plate light, Rear view mirror, traffic view, Service kit 50/500/1000H, Side direction lights (driving lights required), Slow moving vehicle sign, Special color (one or two), Tool set, Towing eyelet, Water tank cover (lockable)

Find us locally at www.dynapac.us

We reserve the right to change specifications without notice. Photos and illustrations do not always show standard versions of machines. The above information is a general description only, all informations are supplied without liability.